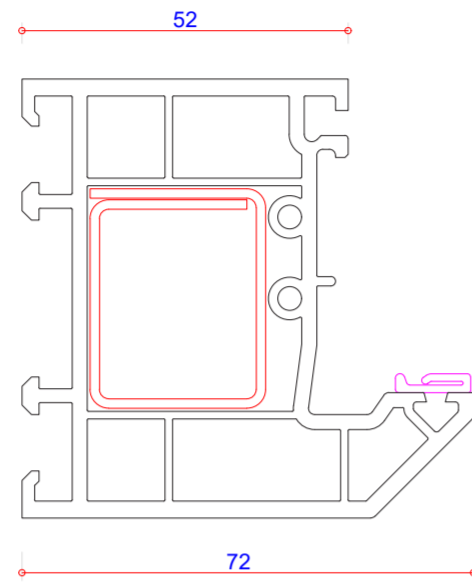
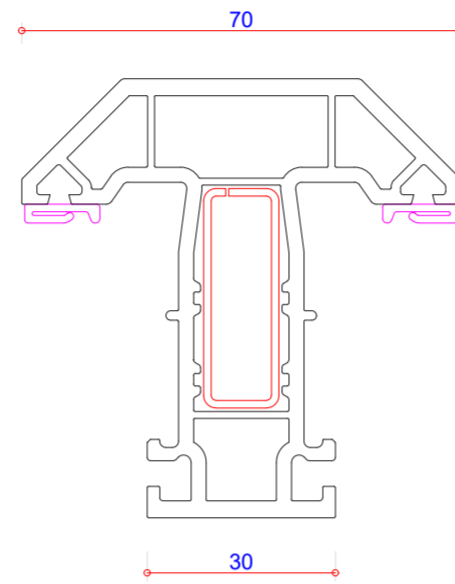


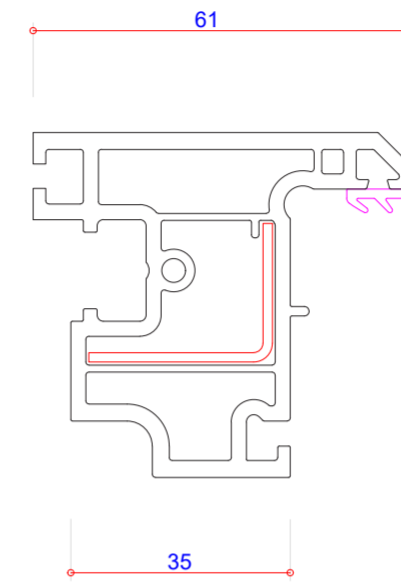
**701501**  
56mm Outer Frame  
Steel U Channel 713185  
Steel Box 713155  
Steel Box 713187



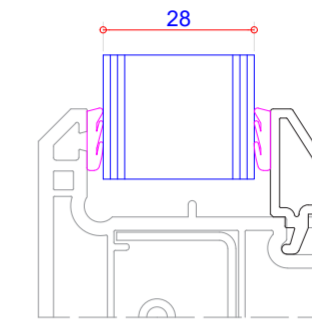
**701502**  
72mm Outer Frame  
Steel U Channel 713186  
Steel Box 713174  
Steel Box 713191



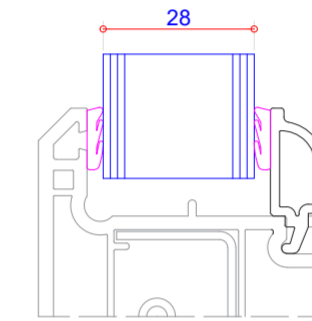
**702503**  
70mm T Transom  
Steel Box 713187  
Steel Box 713155



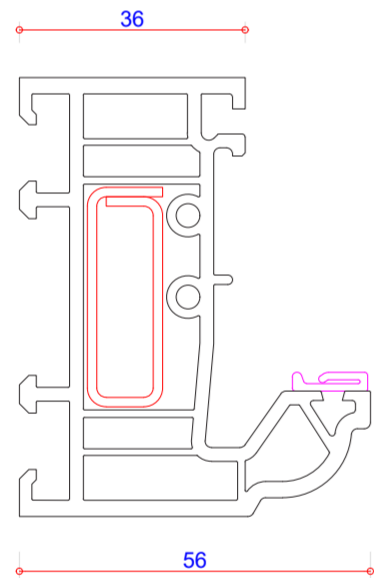
**703810**  
Flush Sash  
Steel L 713226  
Steel L (Prepped) 713227



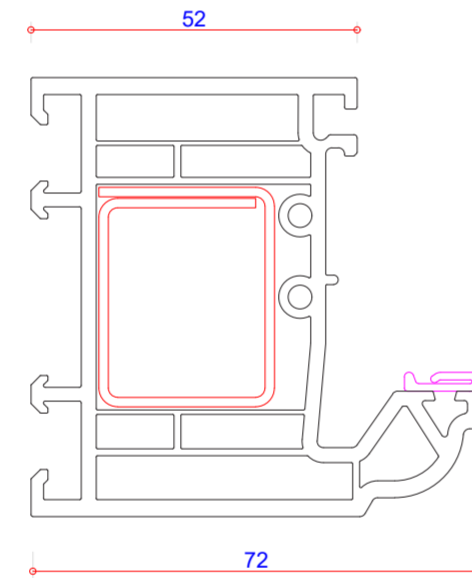
**707427**  
28mm Glazing Bead



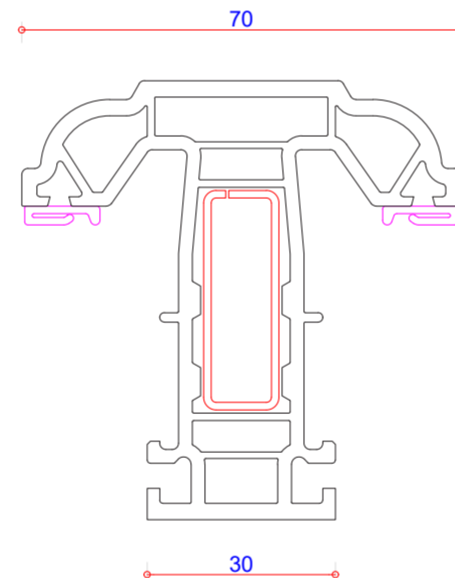
**707432**  
28mm Glazing Bead



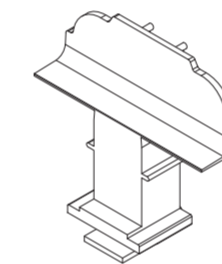
**701531**  
56mm Outer Frame  
Steel U Channel 713185  
Steel Box 713155  
Steel Box 713187



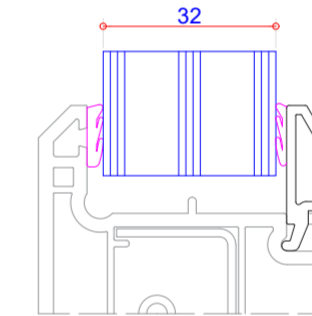
**701532**  
72mm Outer Frame  
Steel U Channel 713186  
Steel Box 713174  
Steel Box 713191



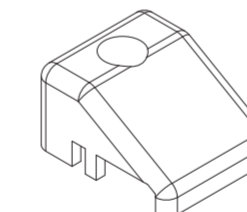
**702533**  
70mm T Transom / French Mullion  
Steel Box 713187  
Steel Box 713155



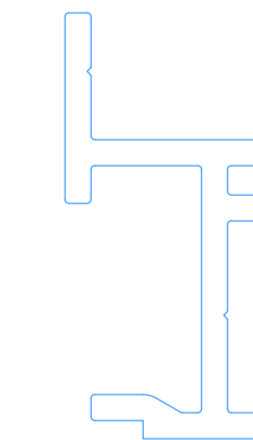
**109040**  
French Mullion End Cap  
For use with 702533 only  
(white/brown/caramel)



**707426**  
32mm Glazing Bead



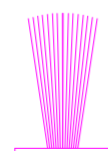
**109029**  
Run Up Block



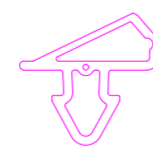
**104395**  
French Mullion Adaptor



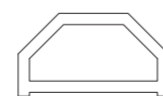
**112380**  
Bead Groove Infill  
(Black / White)



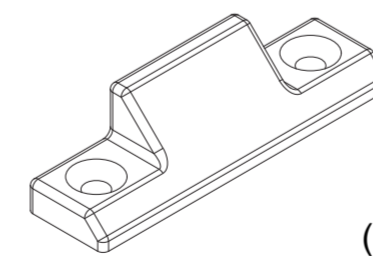
**744226**  
Brush Pile  
Bead Groove Infill  
(Black)



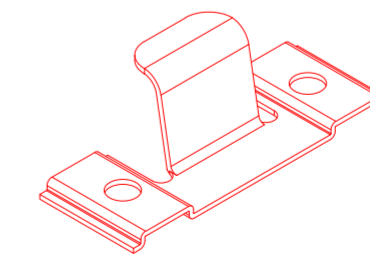
**712043**  
Flush Sash Seal



**709824**  
Georgian Bar



**140117.1**  
Pull In Wedge  
(Frame Section)



**140117.2**  
Pull In Wedge  
(Sash Section)

**KEY:**  
 PVC Profile  
 Gasket  
 Steel  
 Aluminium

Clarification on steel orientation can be obtained via WinDoPlan. DO NOT SCALE. The drawings shown are visual representations only. VEKA PLC has the right to alter the designs, specification & descriptions without prior notice as part of our policy of continuous development and improvements.

