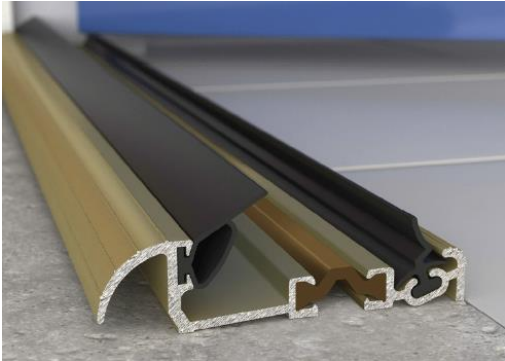


Thresholds



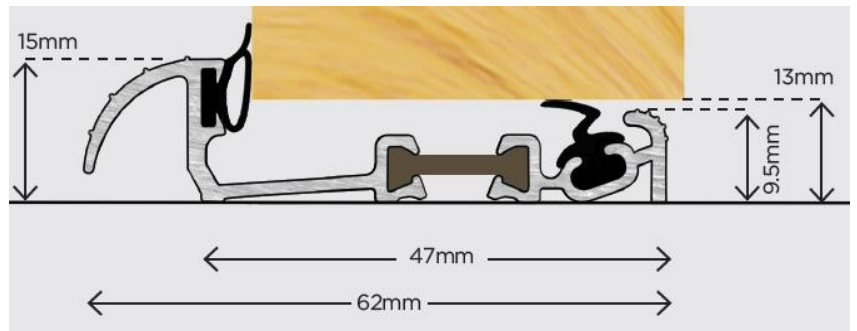
Low Access Part M Thresholds

Standard Low Aluminium Threshold DDA compliant & thermally broken



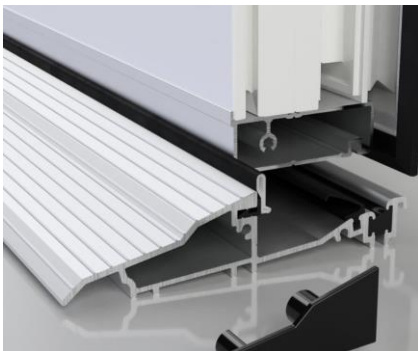
Our standard Low Aluminium threshold can be used with or without a PVC-u cill and comes in Silver or Gold with matching rain deflector.

- Under Door Clearance 13mm
- Fully integrated to outer frame (milled to jams)
- Thermally broken prevents condensation
- Complete with deflector section with weather deflecting end caps-no sharp corners or raw edges.

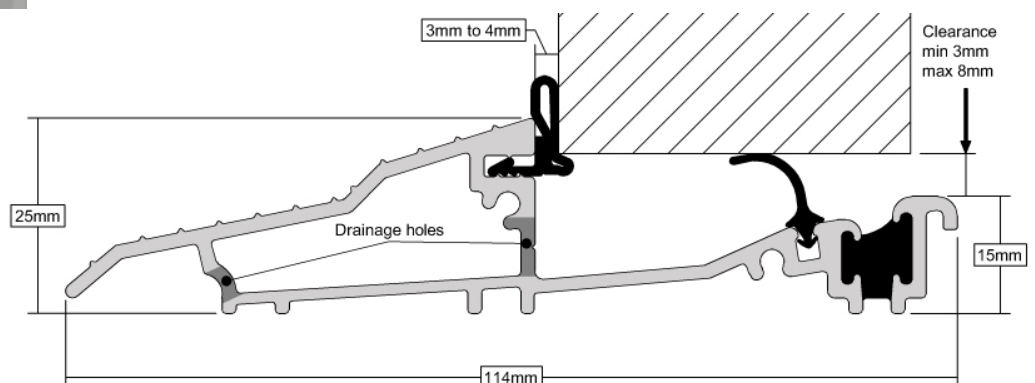


Aluminium Cill Threshold (AM3) DDA compliant

The AM3 has the advantage of a extended ramp for wheel or push chair access. It is also supplied milled to our outer frame. We do not recommend its use on a PVC-u cill.



- Ideal for carpeted floor
- Thermally broken to meet thermal bridging and installation requirements
- Non-slip surface



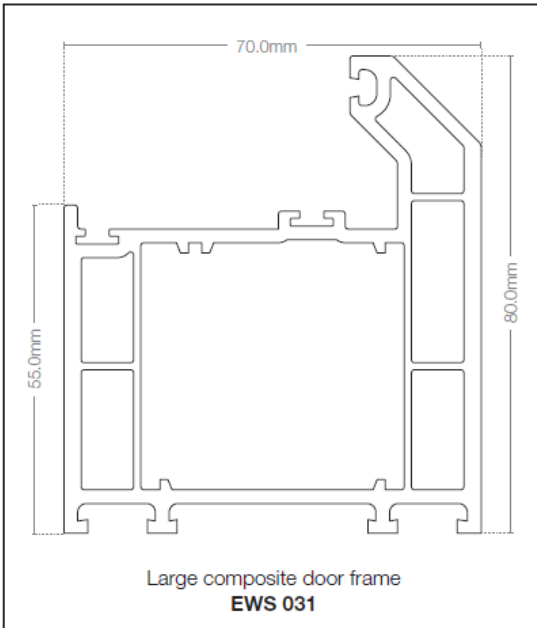
Thermally Efficient

Triple-Seal Outer Frame



Reduces U-Values to 0.8 W/m²K on some doors styles

Standard Outer Frame EWS031 80mm section



Our standard outer frame is Eurocell profile and benefits from being Triple-Sealed.

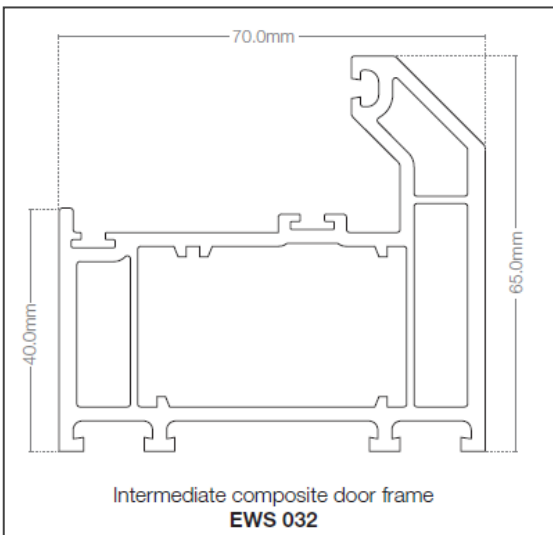
With 2 x Brush Strips and 1 x Co-extruded weather seal it has a superior thermal performance than other standard outer frames.

This Outer Frame gives you a plaster line of 32mm

Foiled options



Smaller Outer Frame EWS032 65mm section



Our smaller outer frame is the same specification but gives our door set further options with integrated top lights.

This outer frame also gives the Xtreme Composite door the advantage of narrower options on door sets with sidelights glazed or GRP.

This Outer Frame has a reduced Plaster Line of 17mm

Full Weld Frame / PVCU Cill is 65mm as standard to bottom.

Fitter Friendly

Fully 3 x 3 Adjustable Hinge



The adjustment this hinge offers will please any fitter!

iDeal Butt Hinge



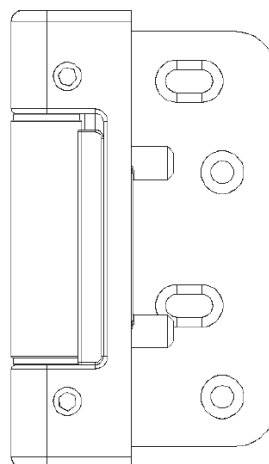
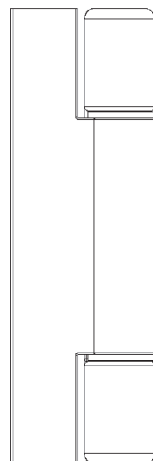
The hinge is simple-to-fit, fully adjustable, offers proven reliability and is weather-resistant.

- Lateral & vertical adjustment for easy installation
- Compression adjustment
- Weather resistant – tested to 480 hours salt spray
- Simple-to-fit
- Steel hinge pin for added strength, held in place with a grub screw
- Operational reliability-tested to 50,000 cycles
- Allen key adjustment no need to dis-mount the door

vertical adjustment +4mm
5mm key

lateral adjustment +/-2mm
4mm key

lock off screw
2mm key



Lever/Lever & Lever/Off-set options



Highly secure and accredited bespoke 5-point lock. Kite marked cylinder with fitted cylinder guard as standard.

- 5 Hooks
- Fully adjustable keeps
- Anti-snap, drill, pick & bump cylinder
- Cylinder Guard as standard
- Snib hold back function
- Suitable for Lever/Lever and Lever/Off-Set spindle
- Secure-by Design accredited
- BS EN 1670 Grade 5, 480 hrs NSS

This new lock has increased the weatherability of the door from 800 Pacals to 1,200.

Lever Handles and Premium Letter Plates come with extended 25 Year guarantee on finish.

Cylinder Pull & Long bar handle options come with the Winkhaus AV2 slam shut lock



Created to complement both contemporary and period door designs the cylinder pull meets the eclectic demands of modern architecture.

- Instant security locks on closing
- 2 solid anti-pushback hooks
- Anti-Bump, Drill, Snap & Pick cylinder
- Cylinder Guard as standard
- Reduced risk of cylinder attack
- Integrated finger pull
- High strength zinc die cast construction
- Gold, Chrome or Satin finish

On doors with bar handles front and back we can only use the oval escutcheon which gives 1 star security

KM Superior 1 Star Euro Profile Cylinder

The Yale KM Superior Euro Profile cylinder has been developed to provide resistance against common cylinder attack methods. The KM Superior offers **British Kitemarked TS007:2014 1 star** security and has been tested to the **British Standard BS EN1303:2005**.



- Replacement 6 pin Euro Profile Cylinder
- Available as key/key & thumbturn
- BSI Kitemark Approved - KM532920
- TS007 1 Star Cylinder
- Secured by Design approved
- High security level
- 10 year guarantee

The 1 star cylinder is housed in a cylinder guard and with our handle becomes a 3 star package.

