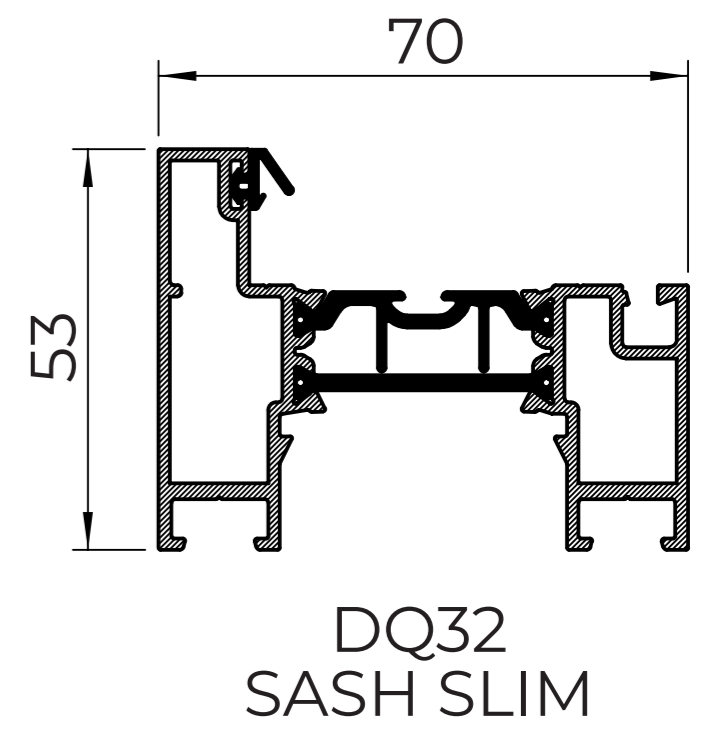
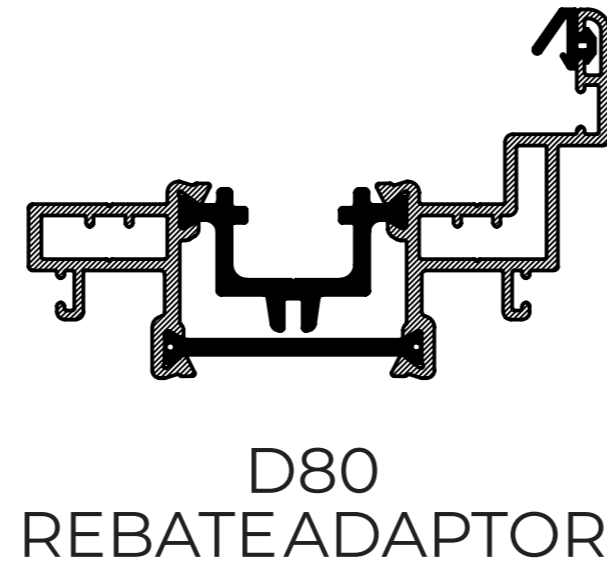
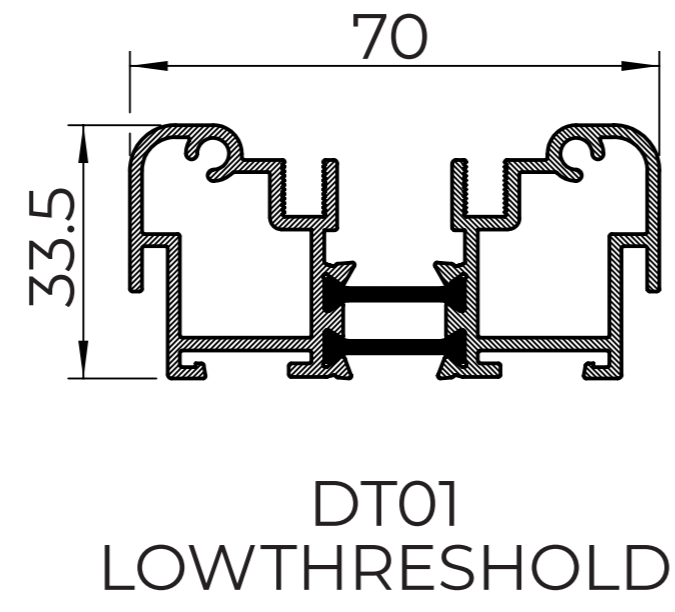
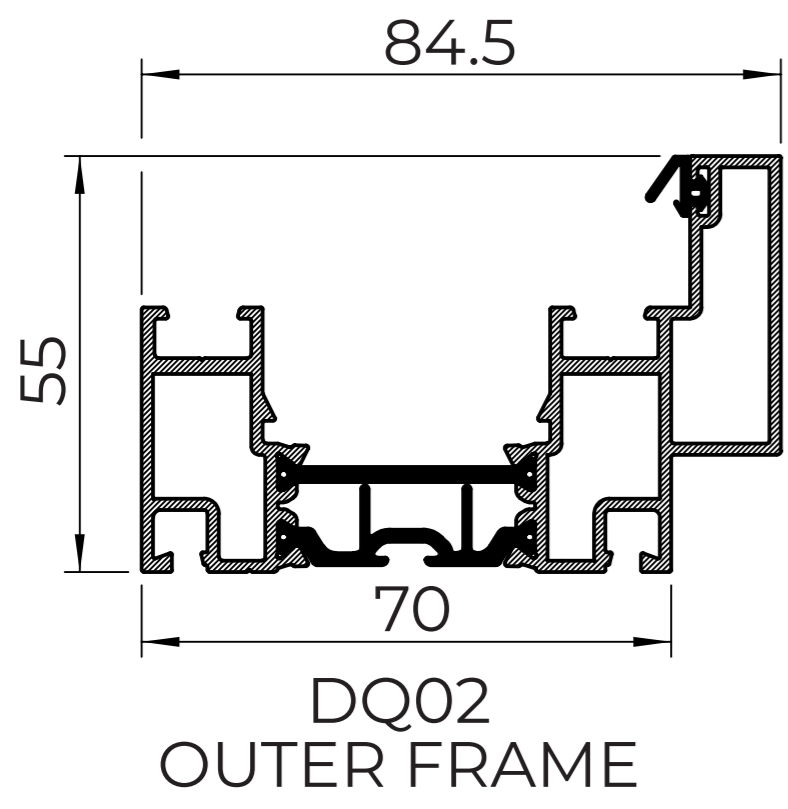
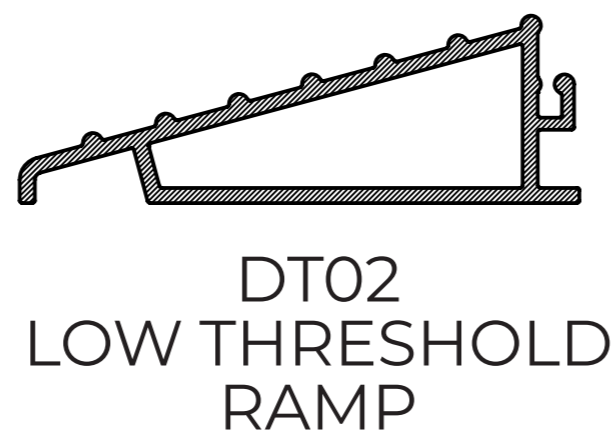
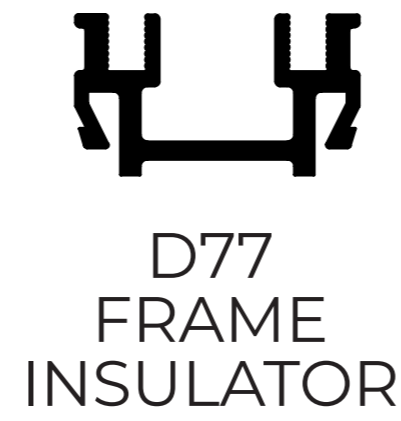
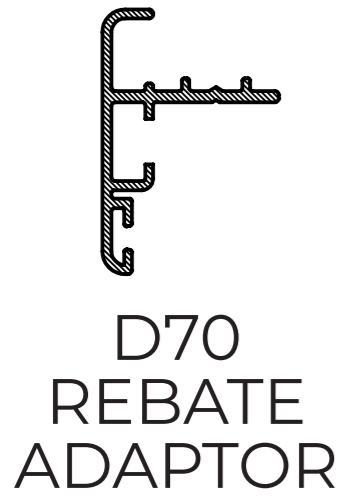


### MAIN PROFILES

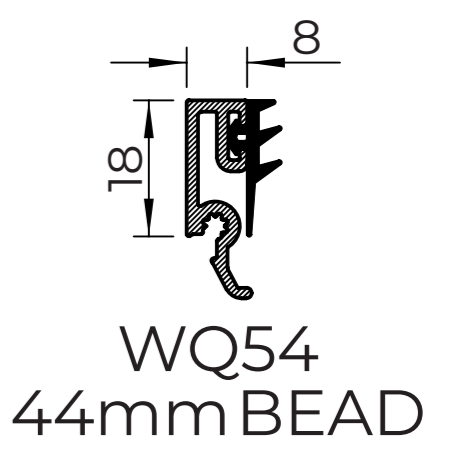
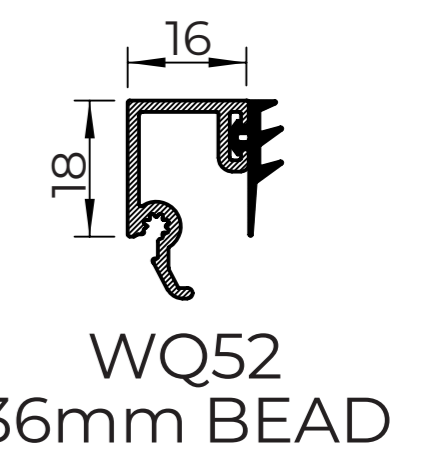
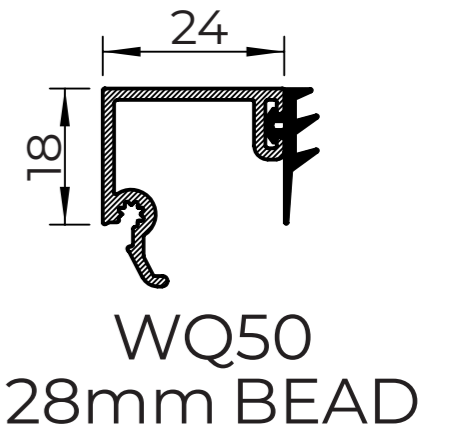


### ANCILLARY PROFILES

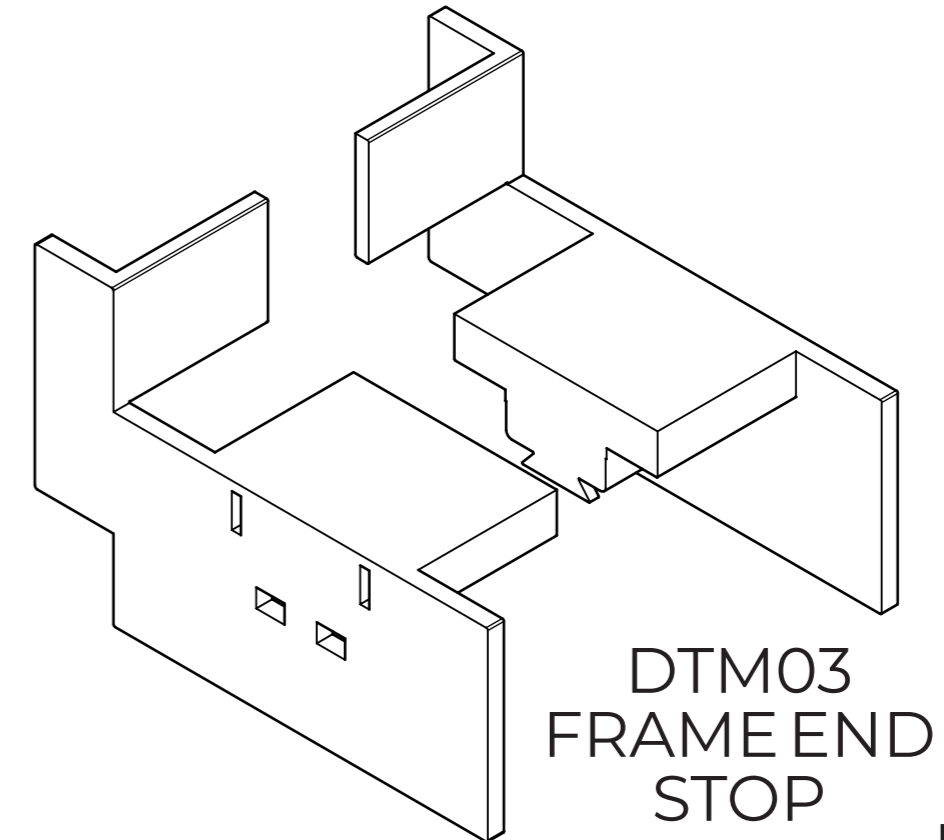
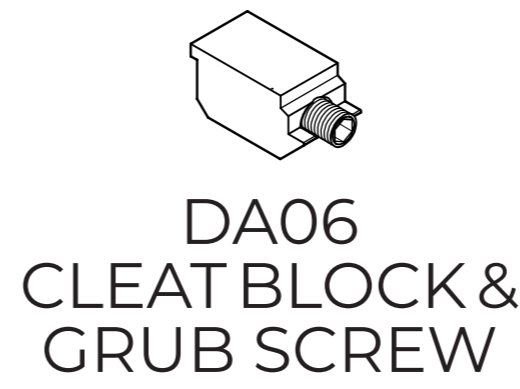
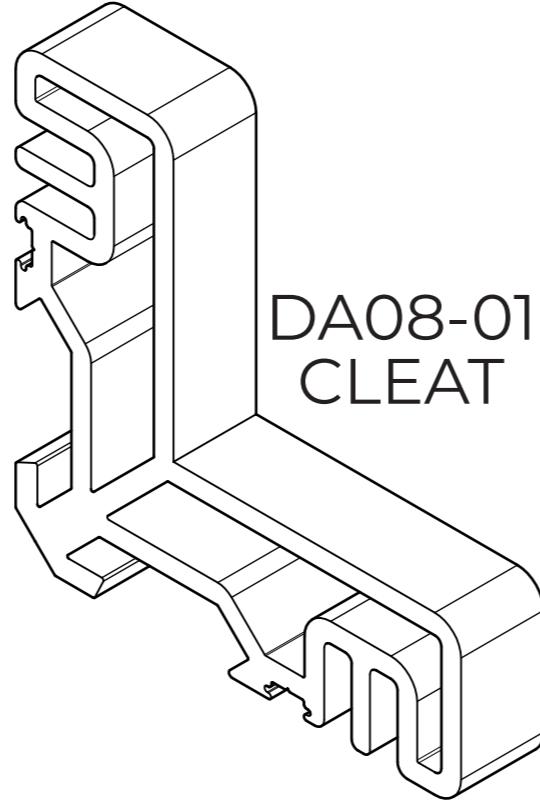
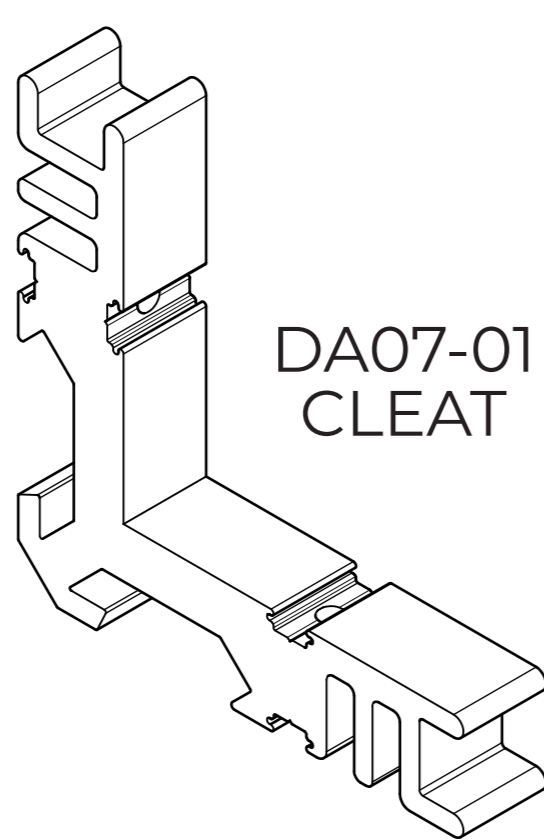
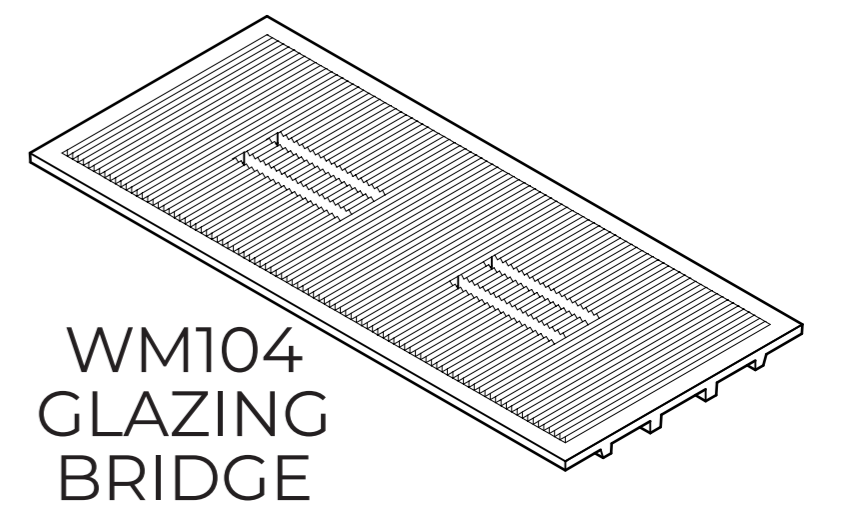
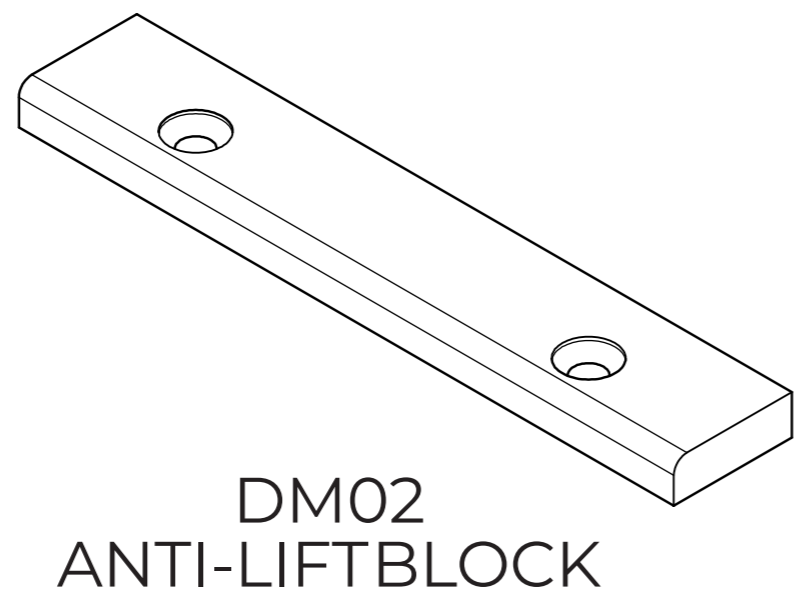
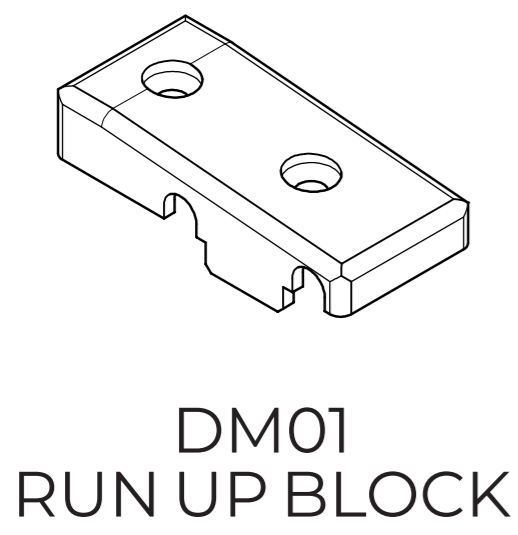


### GLAZING BEADS

FOR USE WITH DQ32 SASH



### ANCILLARIES



### GASKETS

