



STELLAR Flush Casement Windows

Quote Order Date: _____

Job Reference/Number: _____ Collection: Delivery: Date Required: _____

Company Name: _____ Delivery Address: _____

Address: _____

Postcode: _____

Postcode: _____ Tel: _____ Fax: _____

Sign: _____ Print: _____ Order Taken By: _____

STANDARD SINGLE COLOUR OPTIONS: RAL 9003 White Matt RAL 7016 Anthracite Grey Matt RAL 9005 Black Matt

STANDARD DUAL COLOUR OPTIONS: RAL 7016 Anthracite Grey Matt (Ext) / Ral 9003 White Matt (Int)

RAL 9005 Black Matt (Ext) / Ral 9003 White Matt (Int)

Ral Outside: _____ / Colour: _____ Ral Inside: _____ / Colour: _____

Marine Guarantee * For Marine environment applications, please refer to disclaimer at the foot of the page. This will incur an additional colour set-up cost and extended lead times

WQ02 54mm Outerframe WQ01 36mm Outerframe *Made to order **See Page Two for profile dimensions**
 WQ32 54mm Sash WQ30 40.5mm Sash

Externally Glazed Internally Glazed
 (Sash Internally Glazed) (Dummy Sash to fixed panes)

Qty:	Width:	Height:	Qty:	Width:	Height:	Qty:	Width:	Height:
Transom Drop	400 STD		Transom Drop	400 STD		Transom Drop	400 STD	
Vent Width	600 STD		Vent Width	600 STD		Vent Width	600 STD	
Comments / Extras			Comments / Extras			Comments / Extras		
Glass - Black Spacer as Standard, Please Indicate otherwise			Glass - Black Spacer as Standard, Please Indicate otherwise			Glass - Black Spacer as Standard, Please Indicate otherwise		
Standard	Optional		Standard	Optional		Standard	Optional	
Bead Square 28mm	32mm	36mm	Bead Square 28mm	32mm	36mm	Bead Square 28mm	32mm	36mm
	44mm			44mm			44mm	
150mm Cill	70mm	100mm	150mm Cill	70mm	100mm	150mm Cill	70mm	100mm
	200mm	None		200mm	None		200mm	None
Cill Size (To Size as Standard)	Other:		Cill Size (To Size as Standard)	Other:		Cill Size (To Size as Standard)	Other:	
Drainage Concealed	Face	None	Drainage Concealed	Face	None	Drainage Concealed	Face	None
Glass Clear	Obscure	Unglazed	Glass Clear	Obscure	Unglazed	Glass Clear	Obscure	Unglazed
Pattern Type			Pattern Type			Pattern Type		
Float	Tough All	Tough Lower	Float	Tough All	Tough Lower	Float	Tough All	Tough Lower
Soft Coat	Pilks K	No Low E	Soft Coat	Pilks K	No Low E	Soft Coat	Pilks K	No Low E
Georgian Bar	18mm	Astragal Bar	Georgian Bar	18mm	Astragal Bar	Georgian Bar	18mm	Astragal Bar
	25mm			25mm			25mm	
Add ons Inc	18mm	36mm	Add ons Inc	18mm	36mm	Add ons Inc	18mm	36mm
Top			Top			Top		
Bottom			Bottom			Bottom		
Left			Left			Left		
Right			Right			Right		
Trickle vents (Head of Frame)	Yes / Qty:		Trickle vents (Head of Frame)	Yes / Qty:		Trickle vents (Head of Frame)	Yes / Qty:	
Handle Colour White	Black	Gold	Handle Colour White	Black	Gold	Handle Colour White	Black	Gold
	Birght Bronze	Graphite		Birght Bronze	Graphite		Birght Bronze	Graphite
	Chrome	Satin Silver		Chrome	Satin Silver		Chrome	Satin Silver
Hinges (Egress S/Hung)	Easyclean	Restrictor	Hinges (Egress S/Hung)	Easyclean	Restrictor	Hinges (Egress S/Hung)	Easyclean	Restrictor
Locking Espag			Locking Espag			Locking Espag		

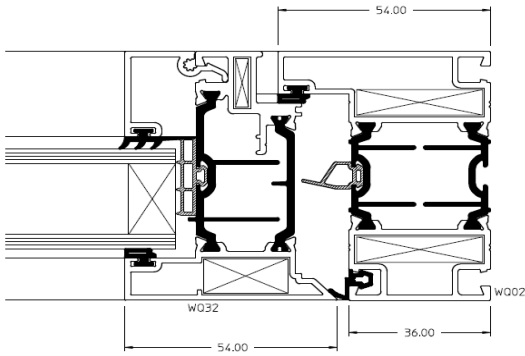
FRAMES WILL BE MANUFACTURED TO STANDARD SPECIFICATION UNLESS OTHERWISE INDICATED

Please Note: We cannot guarantee any product installed within 50 metres of the coast, source of pollution or 2 metres from a swimming pool against deterioration of profile or hardware. Any product fitted within 5000 metres of a hostile environment a recommended cleaning regime must be adhered to and recorded (please consult product guide) - Additional costs may be incurred, please advise on the environment if appropriate.

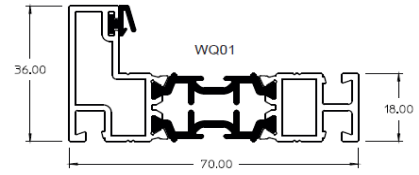
All frames are non-load bearing.

No Wind Load Calculations will be made unless specified.

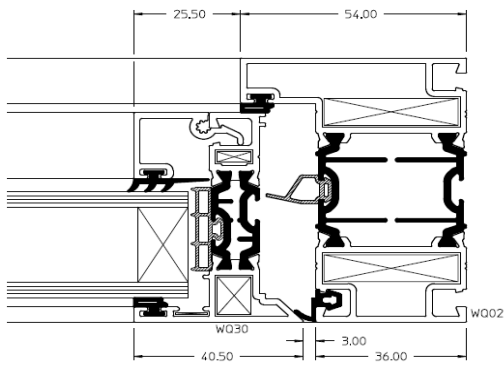
Profile Dimensions



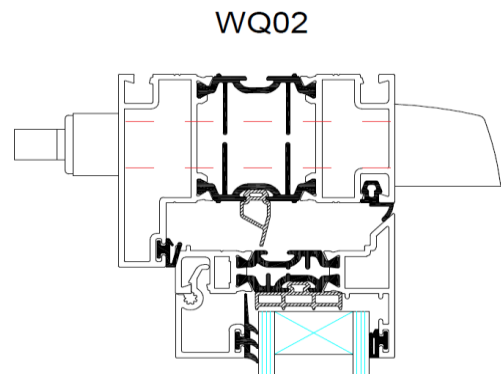
Fully Flush - WQ02 54mm Outerframe & WQ32 54mm Sash



Optional - WQ01 36mm Outerframe



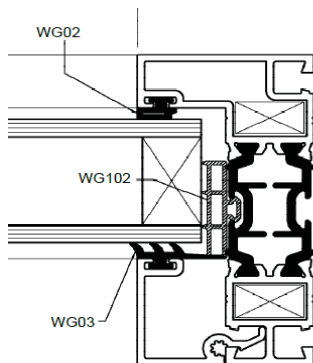
Flush - WQ02 54mm Outerframe & WQ30 40.5mm Sash



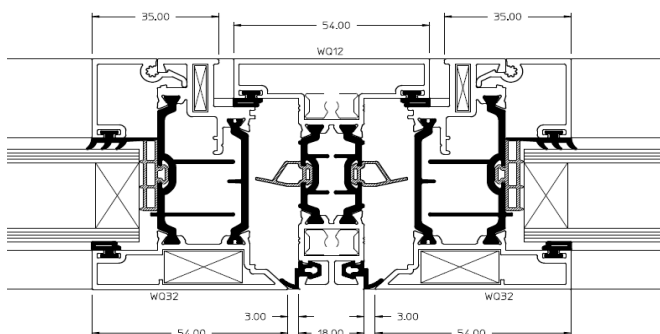
Trickle Vent shown through WQ02 54mm Outerframe

** Trickle vents can be used in a 36mm Frame Extender, please specify on order if required

Externally Glazed/ Dummy Sash



Externally Glazed
(Shown on WQ01 Outerframe)



Dummy Sash

